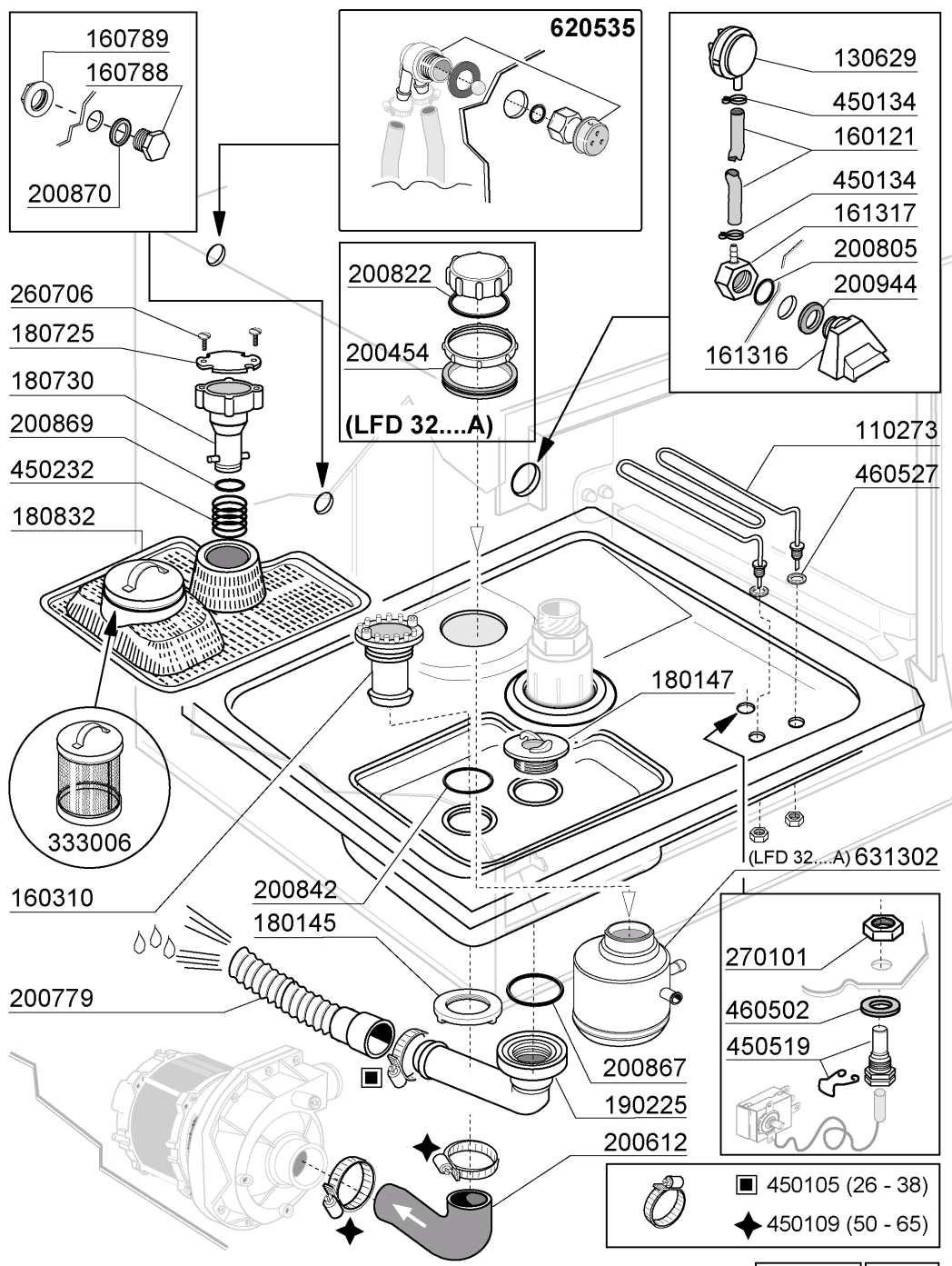


2 - Hood

| CODE | DESCRIPTION |
|--------|--------------------------------|
| 210207 | FOOT BHC |
| 260205 | SCREW TCP 4X16 |
| 260414 | SELF-LOCKING NUT M5 |
| 260502 | S/S FLAT WASHER D.4 |
| 260503 | STAINL.STEEL FLAT WASHER D5 UN |
| 260706 | SCREW 3,9X13 S/S |
| 323206 | HOOD LFD32E |
| 323216 | HOOD LFD32M |
| 323217 | HOOD LFD32M (3 HOLES) |
| 352064 | FRONT PANEL LFD32 |
| 450831 | SCREW SUPPORT |
| H25697 | SCREW |
| H25743 | REPLACED BY 260502 |
| H26761 | STAINLESS STEEL NUT M5 |
| H28880 | REPLACED BY 450830 |
| H30194 | REPLACED BY 260418 |
| H33749 | CABLE HOLDER GF70 |
| H35031 | REPLACED BY 260311 |
| H36283 | GASKET 20X10 |
| H37339 | 450250+324170+190685 |
| H37340 | HOOD LFD32 |
| H37342 | RIGHT RACK GUIDE LFD32 |
| H37343 | LEFT RACK GUIDE LFD32 |
| H37380 | TIE ROD |
| H37381 | BUSH FOR ROLLER H37382 |
| H37382 | ROLLER |
| H37440 | FUNE TIRANTE MOLLA LFD |
| H37445 | PAD |
| H37446 | PAD |
| H37449 | BUSH FOR SPRING |
| H37515 | RIGHT SIDE PANEL LFD32 |
| H37516 | LEFT SIDE PANEL LFD32 |
| H37517 | BACK COVER LFD32 |
| H37518 | BACK LOWER PANEL LFD |
| H37519 | DOOR LFD32 |
| H37588 | INSULATION PANEL LFD |
| H37675 | DOOR SPRING LFD |
| H37783 | LEFT GUIDE |
| H37784 | RIGHT GUIDE |



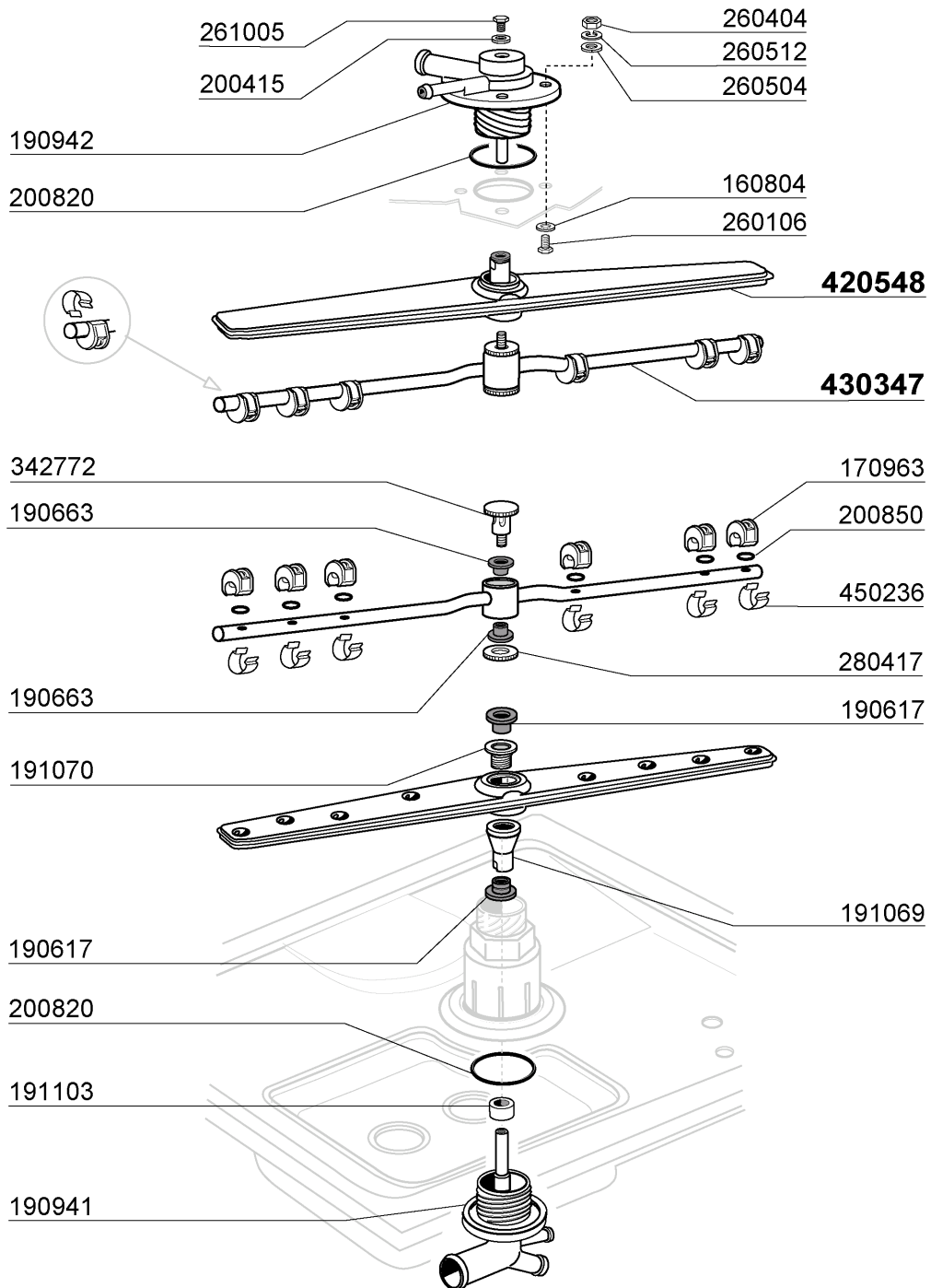
Aggiornato / ultimo al 25 Settembre 08

09 - 2008 | M. SA.

3 - Tank

| CODE | DESCRIPTION |
|--------|-------------------------------|
| 110273 | TANK HEATER 2000W 230V |
| 130629 | PRESSURE SWITCH 1L30-12 |
| 160121 | HOSE EPDM D. 5 X 9 |
| 160310 | INLET HOSE BHC |
| 160788 | PLUG |
| 160789 | NUT |
| 161316 | AIR TRAP |
| 161317 | NUT FOR AIR TRAP |
| 180145 | NUT |
| 180147 | NUT |
| 180725 | OVERFLOW PIPE COVER |
| 180730 | OVERFLOW PIPE |
| 180832 | FILTER FOR LF TANK |
| 190225 | DRAIN OUTLET |
| 200454 | GASKET F. SALT CONT. |
| 200612 | PUMP INLET HOSE |
| 200779 | DRAIN HOSE FOR BR-BC-FC43 |
| 200805 | OR GASKET 2,62X28,24X33,48 |
| 200822 | PLUG GASKET OF SALT CONTAINER |
| 200842 | SEAL RING OR158 PB701 NITRILE |
| 200867 | GASKET |
| 200869 | GASKET |
| 200870 | GASKET 18X10X2 |
| 200944 | GASKET |
| 260706 | SCREW 3,9X13 S/S |
| 270101 | HEXAGON LOCK NUT 1/2" |
| 333006 | FILTER |
| 450105 | CLAMP FE ZN. 26-38 H=12,2 |
| 450109 | CLAMP 50-65 |
| 450134 | ELASTIC HOSE CLIP D.9,3/8,8 |
| 450232 | SPRING |
| 450519 | TANK THERMOSTAT SHIELD C-F |
| 460502 | GASKET 30X21X2 |
| 460527 | GASKET |
| 620535 | VACUUM BREAKER |
| 631302 | SALT CONTAINER |

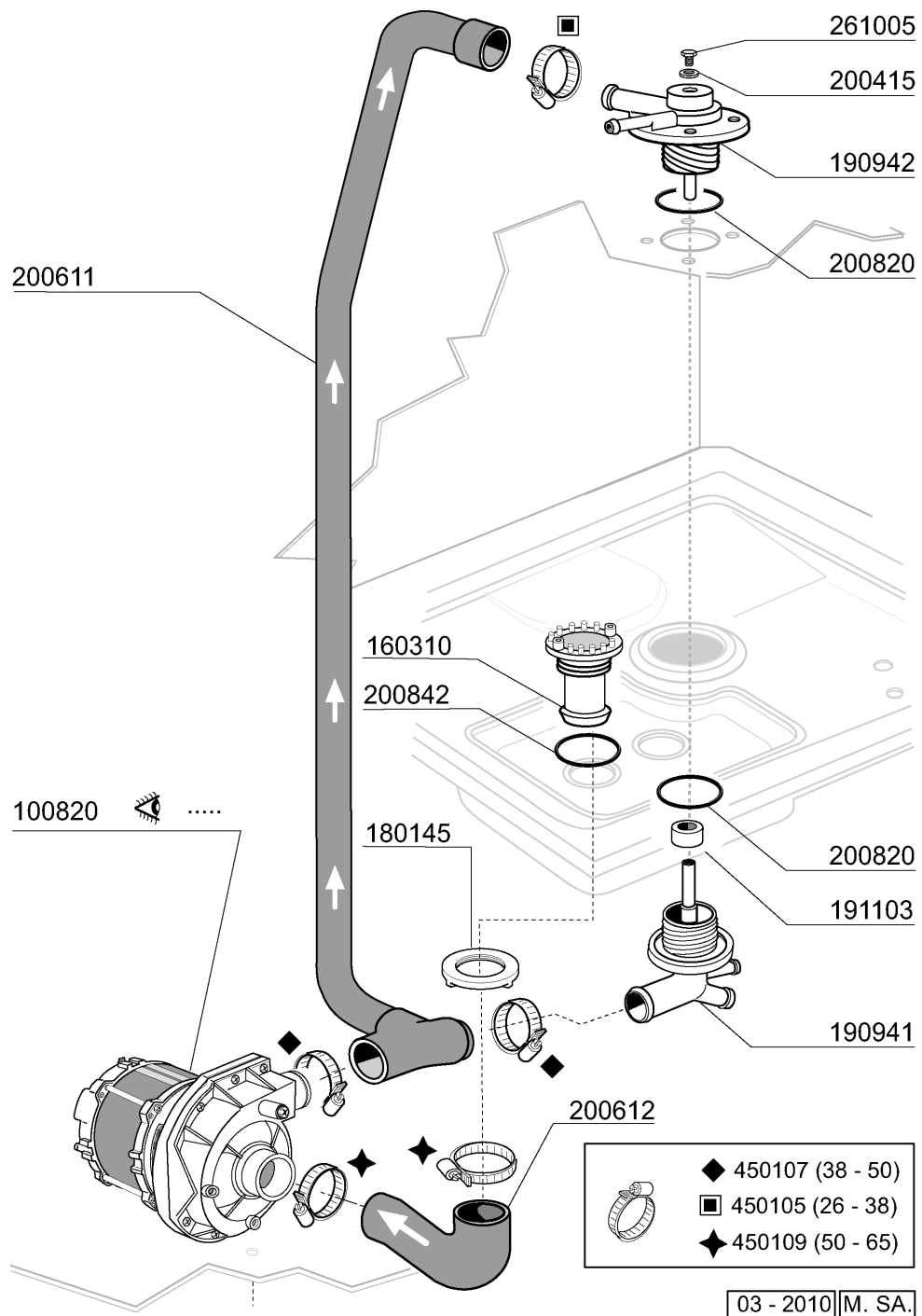
4 - Wash and rinse arm



09 - 2008 | M. SA.

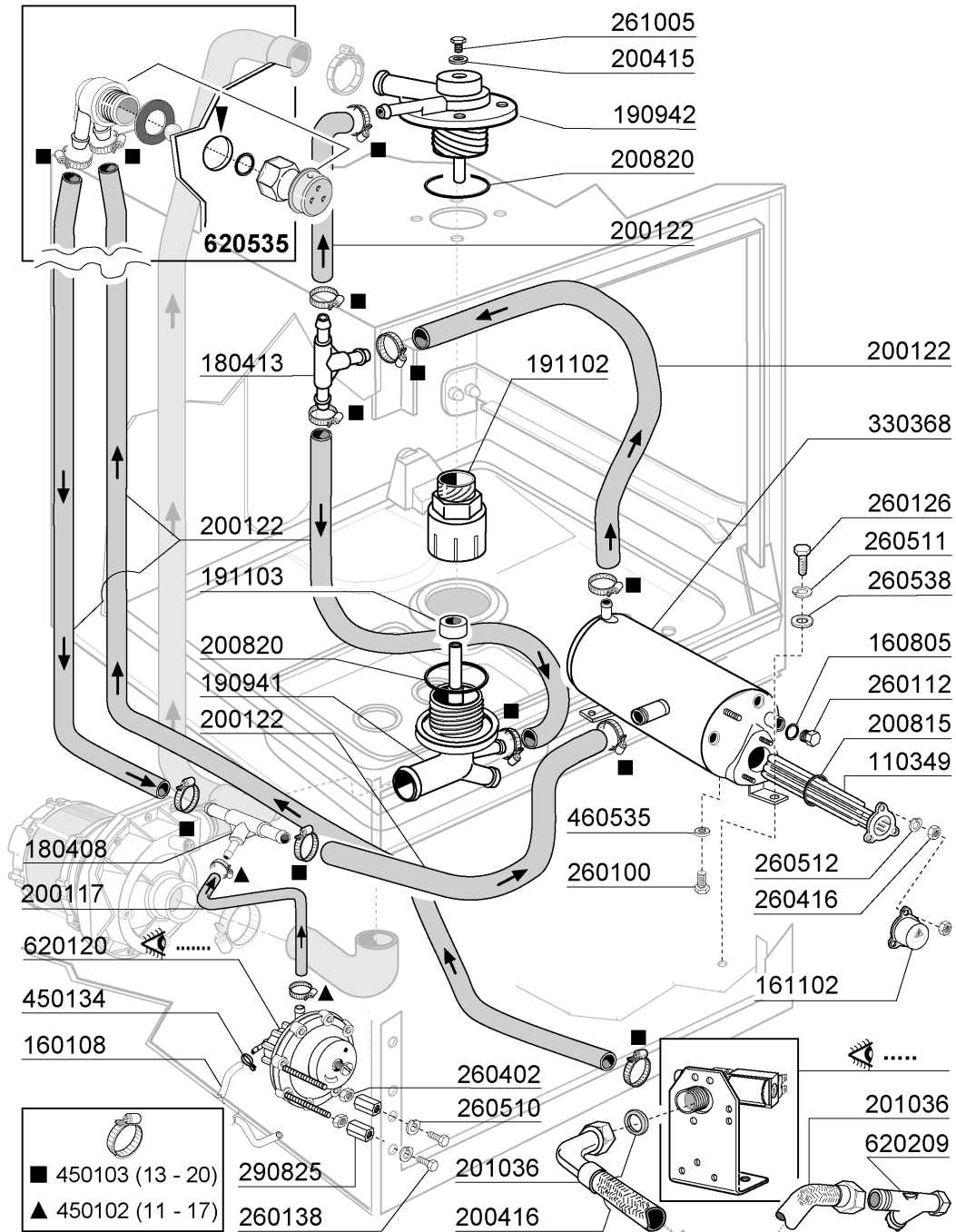
4 - Wash and rinse arm

| CODE | DESCRIPTION |
|--------|--------------------------------|
| 160804 | GASKET D.6 |
| 170963 | RINSE JET X FC |
| 190617 | BUSH |
| 190663 | BUSH |
| 190941 | LOWER TEE WASH/RIN ARM |
| 190942 | UPP.TEE WASH/RIN ARM |
| 191069 | WASH ARM CENTER (FC - MACHINES |
| 191070 | LOCK NUT FOR WASH ARM CENTER (|
| 191103 | SPACER |
| 200415 | AIR TRAP GASKET -F2 18,5X10X3 |
| 200820 | O-RING151 46,99X5,33X57,6 |
| 200850 | O-RING |
| 260106 | SCREW TE 6X25 |
| 260404 | STAINLESS STEEL NUTS D6 UNI 55 |
| 260504 | ST/ST FLAT WASHER D6 |
| 260512 | ST/ST GROWER WASHER D6 |
| 261005 | SCREW F. TEE UP.WASH F2-B41 |
| 280417 | RETAIN.LOCK NUT |
| 342772 | PIN |
| 420548 | FC WASH ARM (ST/ST) |
| 430347 | RINSE ARM LF322/325/700 |
| 450236 | SPRING FOR WASHER 170963 |



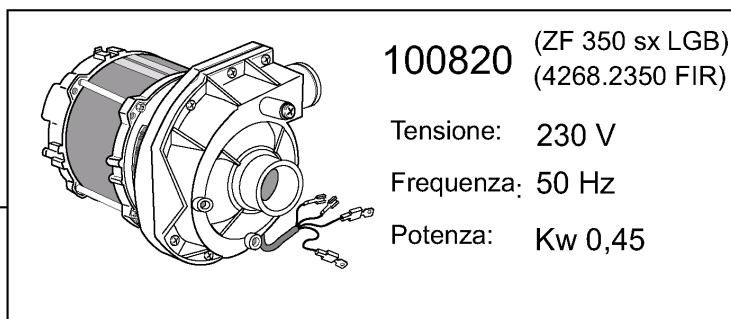
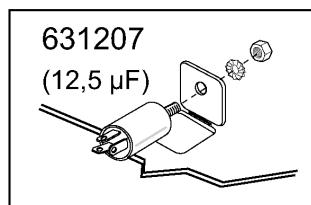
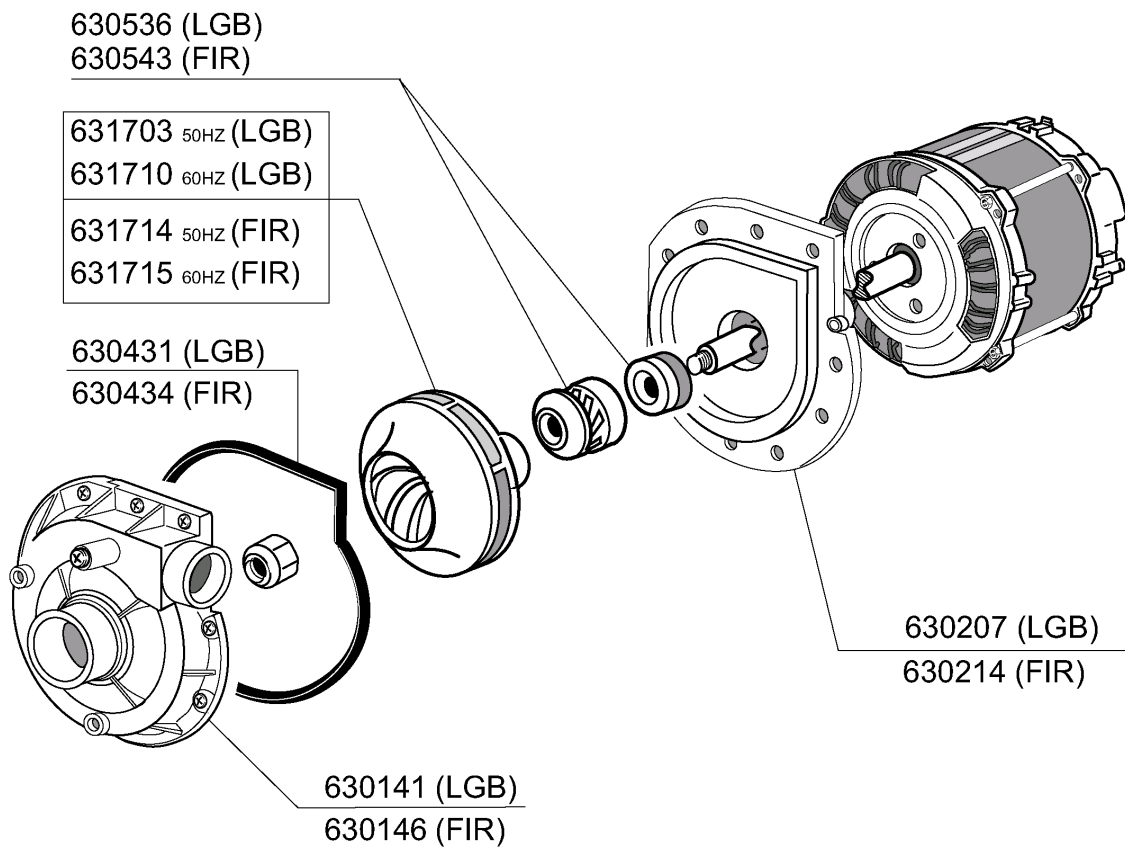
5 - Wash

| CODE | DESCRIPTION |
|-------------|-------------------------------|
| 100820 | PUMP 0,6HP 220V |
| 160310 | INLET HOSE BHC |
| 180145 | NUT |
| 190941 | LOWER TEE WASH/RIN ARM |
| 190942 | UPP.TEE WASH/RIN ARM |
| 191103 | SPACER |
| 200415 | AIR TRAP GASKET -F2 18,5X10X3 |
| 200611 | OUTLET HOSE |
| 200612 | PUMP INLET HOSE |
| 200820 | O-RING151 46,99X5,33X57,6 |
| 200842 | SEAL RING OR158 PB701 NITRILE |
| 261005 | SCREW F. TEE UP.WASH F2-B41 |
| 450105 | CLAMP FE ZN. 26-38 H=12,2 |
| 450107 | CLAMP FE ZN 38-50 H=12,2 |
| 450109 | CLAMP 50-65 |



6 - Rinse

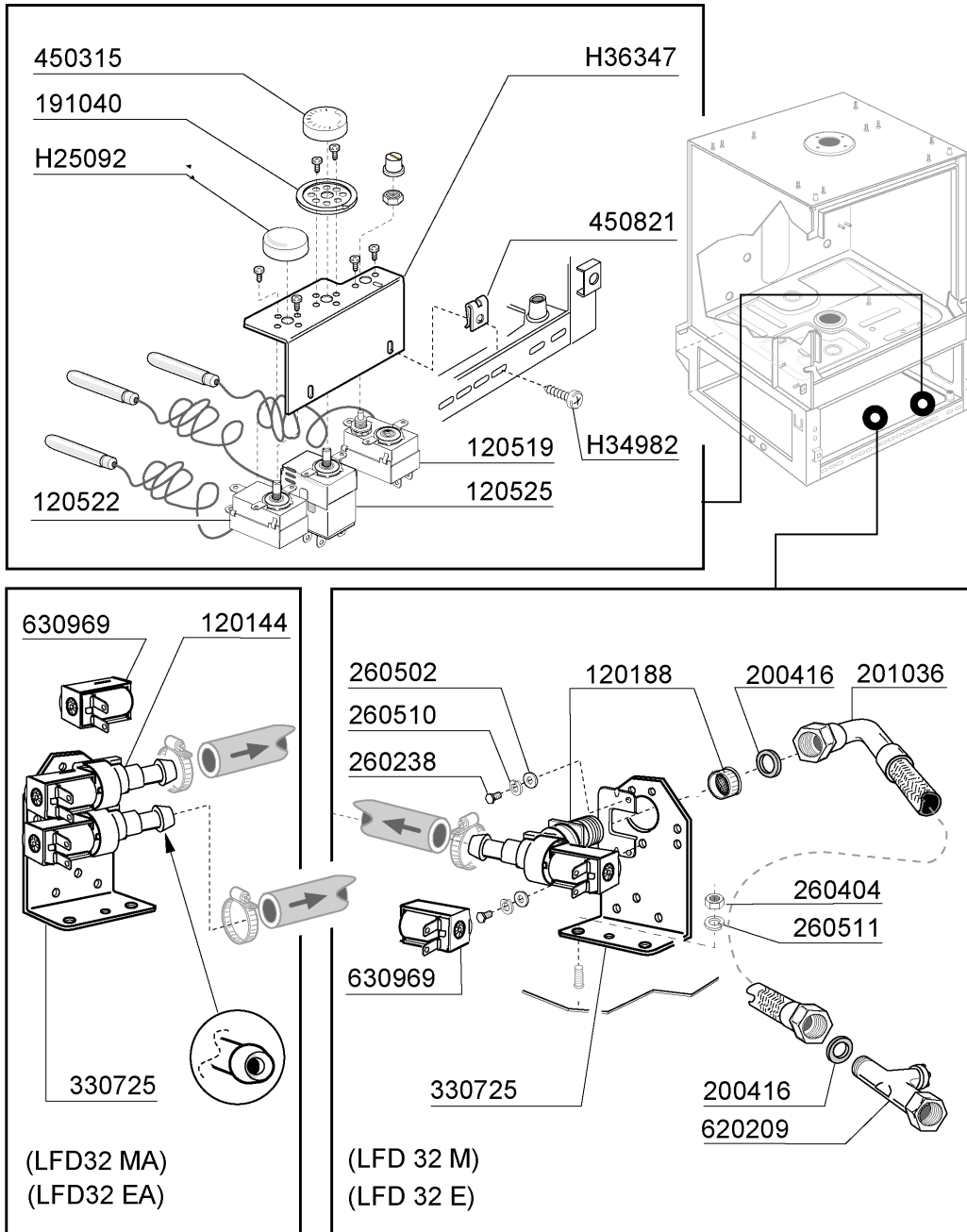
| CODE | DESCRIPTION |
|--------|--------------------------------|
| 110349 | HEAT.ELEMENT 6000W 230/400V |
| 160108 | INJECT.INLET HOSE D.8X5 |
| 160805 | GASKET D.8 |
| 161102 | ELEMENT COVER MOPL. |
| 180408 | TEE-NIPPLE F.INJECT.W/CENTR.RE |
| 180413 | TEE NIPPLE D.11,5 - RINSE ASSE |
| 190941 | LOWER TEE WASH/RIN ARM |
| 190942 | UPP.TEE WASH/RIN ARM |
| 191102 | LOWER TEE WASH/RIN ARM |
| 191103 | SPACER |
| 200117 | RUBBER HOSE 7X16 |
| 200122 | HOSE 11X19 |
| 200415 | AIR TRAP GASKET -F2 18,5X10X3 |
| 200416 | GASKET D. 3/4" |
| 200815 | O-RING F. HEAT.ELEM. |
| 200820 | O-RING151 46,99X5,33X57,6 |
| 201036 | INLET HOSE 2 MT |
| 260100 | SCREW TE 6X8 INOX |
| 260112 | STAINLESS STEEL TE-SCREW 8X16 |
| 260126 | SCREW TE 5X12 |
| 260138 | SCREW TE 4X10 |
| 260402 | STAINLESS STEEL NUT D4 UNI 55 |
| 260416 | STAINLESS STEEL NUTS M6 |
| 260510 | GROWER WASHER D.4 |
| 260511 | GROWER WASHER D.5 |
| 260512 | ST/ST GROWER WASHER D6 |
| 260538 | WASHER 18X6X1,5 ST/ST |
| 261005 | SCREW F. TEE UP.WASH F2-B41 |
| 290825 | SPACER |
| 330368 | BOILER LF2004 |
| 450102 | CLAMP FE ZN 11-17 H=9 |
| 450103 | CLAMP FE ZN. 13-20 H=9 |
| 450134 | ELASTIC HOSE CLIP D.9,3/8,8 |
| 460535 | GASKET FOR BOILER PLUG BHC |
| 620120 | RINSE AID INJECTOR |
| 620209 | INLET WATER FILTER |
| 620535 | VACUUM BREAKER |



7 - Pump

| CODE | DESCRIPTION |
|-------------|------------------------------|
| 100820 | PUMP 0,6HP 220V |
| 630141 | PUMP VOLUTE LGB ZF380SX |
| 630207 | PUMP FLANGE LGB ZF350SX 230V |
| 630214 | FLANGE PUMP HP0,75-1-1,5 |
| 630431 | PUMP GASKET LGBZF350SX |
| 630536 | SEAL FOR PUMP LGB350SX |
| 631207 | CONDENSER 12,5MF. 450V 85C |
| 631703 | PUMP IMPELLER ZF350SX |
| 631710 | IMPELLER 60HZ ZF350SX |

8 - Thermostat/Solenoid Valve Group

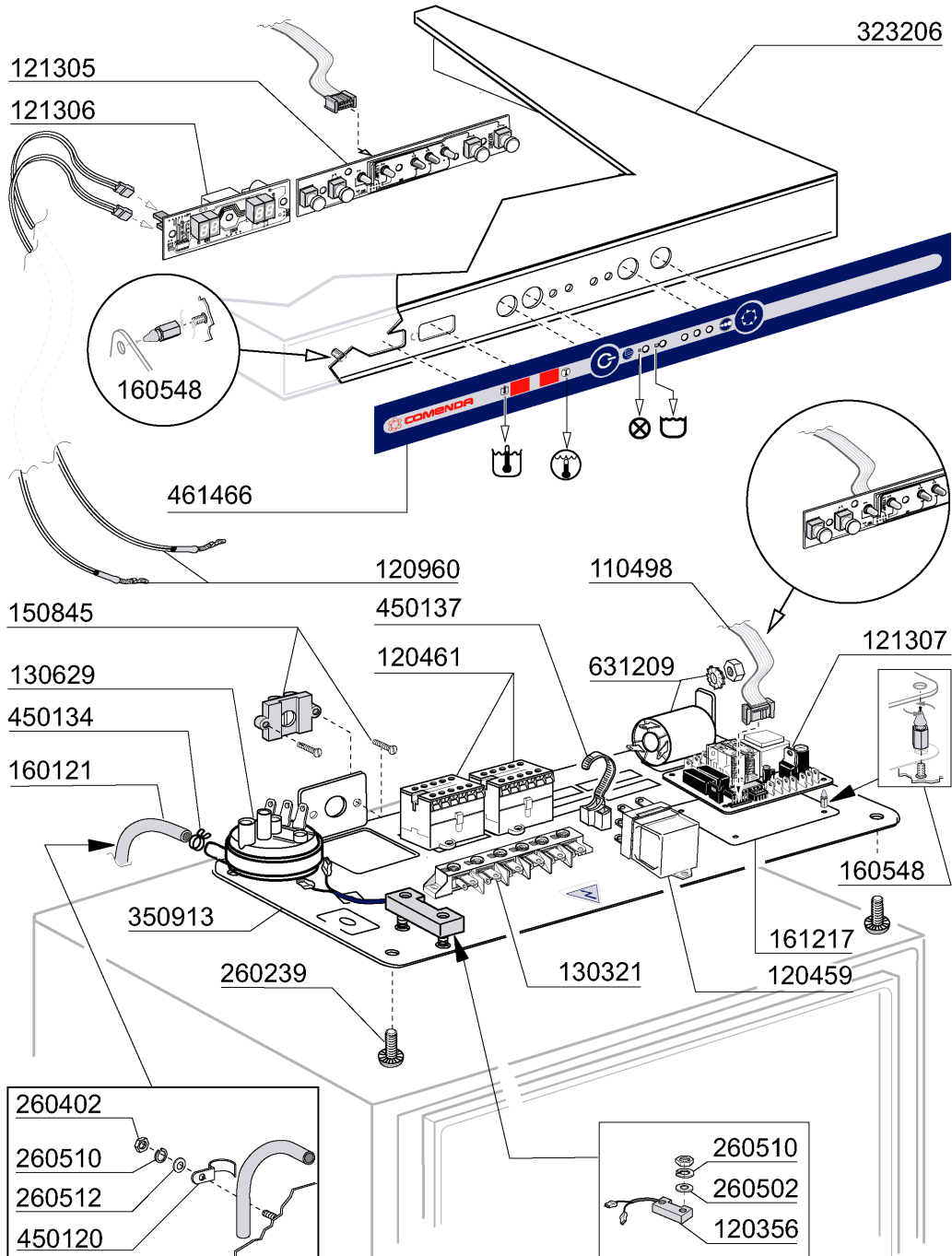


Aggiornato / ultimo al 25 Settembre 08

09 - 2008 | M. SA.

8 - Thermostat/Solenoid Valve Group

| CODE | DESCRIPTION |
|--------|--------------------------------|
| 120144 | SOLENOID VALVE FCA 20 LT TYPE |
| 120188 | SOLENOID VALVE 90Ø 1 WAY 220V |
| 120519 | SECURITY THERMOSTAT 95-125Ø |
| 120522 | TANK THERMOSTAT 90Ø |
| 120525 | BOOSTER THERMOSTAT 2 TEMPERAT. |
| 191040 | FRAME F.THERMOSTAT KNOB |
| 200416 | GASKET D. 3/4" |
| 201036 | INLET HOSE 2 MT |
| 260238 | M4 X 10 MUSH/HD SCREW |
| 260404 | STAINLESS STEEL NUTS D6 UNI 55 |
| 260502 | S/S FLAT WASHER D.4 |
| 260510 | GROWER WASHER D.4 |
| 260511 | GROWER WASHER D.5 |
| 330725 | STANDARD BRACKET F.SOLEN.VALV |
| 450315 | KNOB F. THERMOSTAT 90Ø |
| 450821 | SPRING CLIP FASTENER SNU 3634 |
| 620209 | INLET WATER FILTER |
| 630969 | COIL S4216 220/50HZ |
| H25092 | KNOB FOR THERMOSTAT GF70 |
| H34982 | REPLACED BY 260248 |
| H36347 | THERMOSTATS BRACKET GF70 |

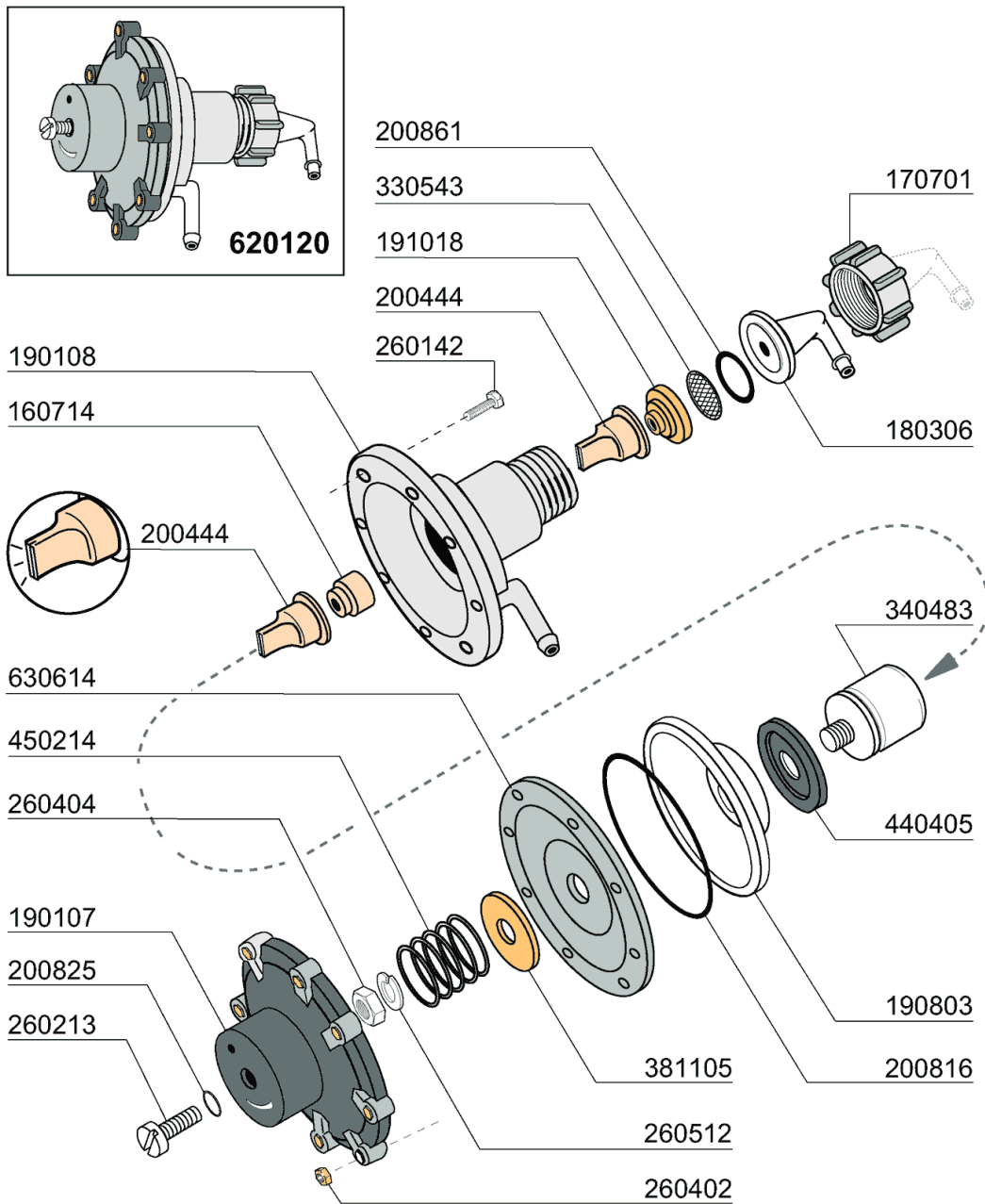


07 - 2010 | M. SA.

9 - Control box

| CODE | DESCRIPTION |
|-------------|--------------------------------|
| 110498 | CABLE 500 MM |
| 120356 | DOOR MAGN.SWITCH |
| 120459 | AUXIL.RELE 16A 220V |
| 120461 | CONTACTOR ABB B6-30-01 220V |
| 120960 | PROBE C-G |
| 121305 | CONTROL PCB |
| 121306 | PCB DISPLAY |
| 121307 | SOFTSTART PCB |
| 130321 | JUNCTION BOX 6 CONNECTORS |
| 130629 | PRESSURE SWITCH 1L30-12 |
| 150845 | PRESSACAVO SERIM 4228B |
| 160121 | HOSE EPDM D. 5 X 9 |
| 160548 | DISTANZ.TASTIERINI ELETTRONICI |
| 161217 | PROTEZ.TIMER ELT.CON SOFTSTART |
| 260239 | SPECIAL S/S TB-SCREWS M6X20 |
| 260402 | STAINLESS STEEL NUT D4 UNI 55 |
| 260502 | S/S FLAT WASHER D.4 |
| 260510 | GROWER WASHER D.4 |
| 260512 | ST/ST GROWER WASHER D6 |
| 323206 | HOOD LFD32E |
| 350913 | SUPP.IMPIANTO ELETT. LF / GF70 |
| 450120 | ZINC CLAMP FOR HOSE D.7 |
| 450134 | ELASTIC HOSE CLIP D.9,3/8,8 |
| 450137 | COLLAR CONNECTION WITH BASE 31 |
| 461466 | PLATE LFD32EA |
| 631209 | ANTI-NOISE FILTER |

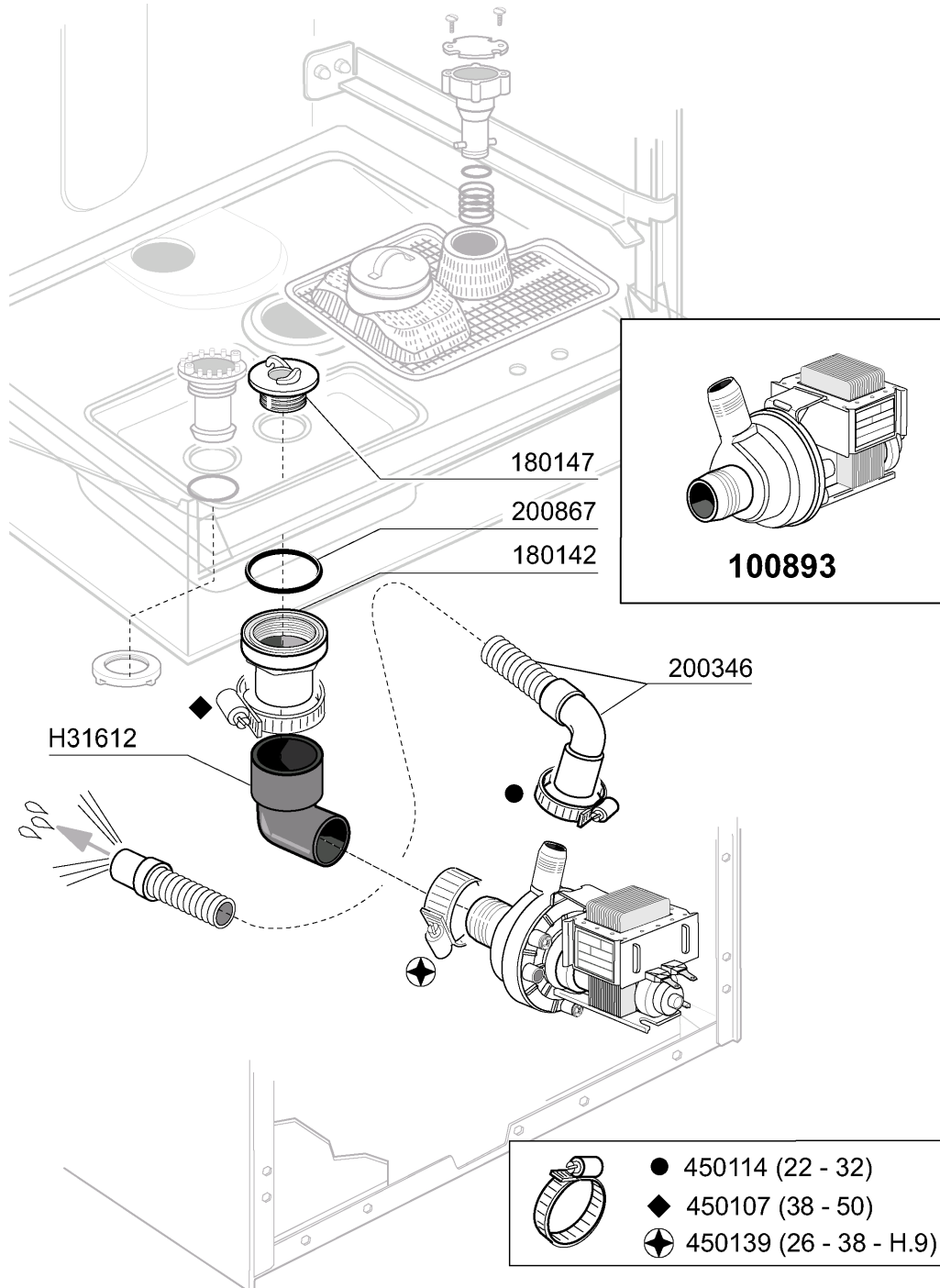
10 - Rinse aid injector



09 - 2007 | S. AG.

10 - Rinse aid injector

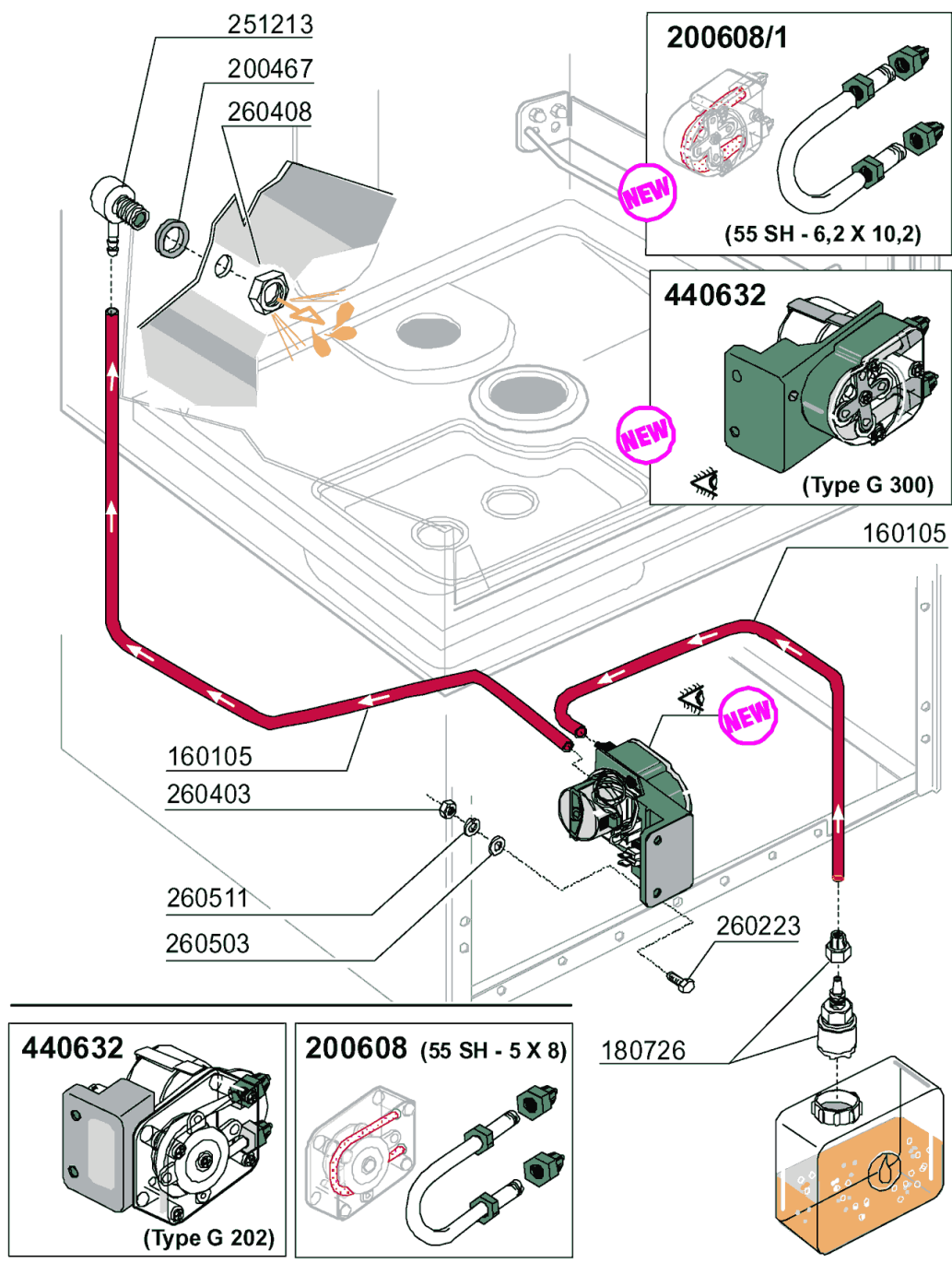
| CODE | DESCRIPTION |
|--------|--------------------------------|
| 160714 | PLUG FOR RINSE AID INJECTOR MO |
| 170701 | LOCK NUT 1/2" F.INJECTOR |
| 180306 | NIPPLE F.RINSE AID INJECTOR |
| 190107 | COVER FOR RINSE AID DISPENSER |
| 190108 | VOLUTE FOR RINSE AID DISPENSER |
| 190803 | GASKET SUPPORT RING F.INJECT |
| 191018 | FILTER SUPPORT RINSE AID INJEC |
| 200444 | SUCTION VALVE RINSE INJECTOR |
| 200816 | O-RING 2,5X59,2X64,2 RINSE INJ |
| 200825 | O-RING 3X5X11 RINSE INJECTOR |
| 200861 | O-RING 14X18X2 |
| 260142 | SCREW TE 4X16 |
| 260213 | SCREW TCP 5X25 |
| 260402 | STAINLESS STEEL NUT D4 UNI 55 |
| 260404 | STAINLESS STEEL NUTS D6 UNI 55 |
| 260512 | ST/ST GROWER WASHER D6 |
| 330543 | FILTER RINSE AID INJECTOR D.17 |
| 340483 | PISTON FOR RINSE AID DISPENSER |
| 381105 | DIAPHRAGME DISC |
| 440405 | GASKET FOR RINSE AID INJ. |
| 450214 | SPRING RINSE AID INJECTOR |
| 620120 | RINSE AID INJECTOR |
| 630614 | DIAPHRAGM RINSE INJECTOR |



10/2008 | M.SA

11 - Drain pump

| CODE | DESCRIPTION |
|--------|--------------------------|
| 100893 | DRAIN PUMP 30W 230/50 |
| 180142 | CONNECTOR FOR DRAIN PUMP |
| 180147 | NUT |
| 200346 | DRAIN HOSE GLASSWASHER |
| 200867 | GASKET |
| 450107 | CLAMP FE ZN 38-50 H=12,2 |
| 450114 | CLAMP FE ZN.22-32 H=12,2 |
| 450139 | CLAMP 26-38 H=9 |
| H31612 | HOSE FOR DRAIN PUMP |



09 - 2007 | S. AG.

12 - Detergent dispenser

| CODE | DESCRIPTION |
|----------|--------------------------------|
| 160105 | INJECT.INLET HOSE D.6X4 |
| 180726 | STREINER FOR RINSE AID INJECTO |
| 200467 | DUTRAL GASKET F. AIR TRAP |
| 200608 | DETERGENT DISPENSER HOSE |
| 200608/1 | HOSE FOR DISPENSER GERMAC G300 |
| 251213 | INJECTIOR S/S FOR DETERGENT IN |
| 260223 | M5X12 MSH/HD SCREW SPECIAL S/S |
| 260403 | NUTS D.5 |
| 260408 | S/S NUTS D.12 |
| 260503 | STAINL.STEEL FLAT WASHER D5 UN |
| 260511 | GROWER WASHER D.5 |
| 440632 | DETERGENT INJECTOR |